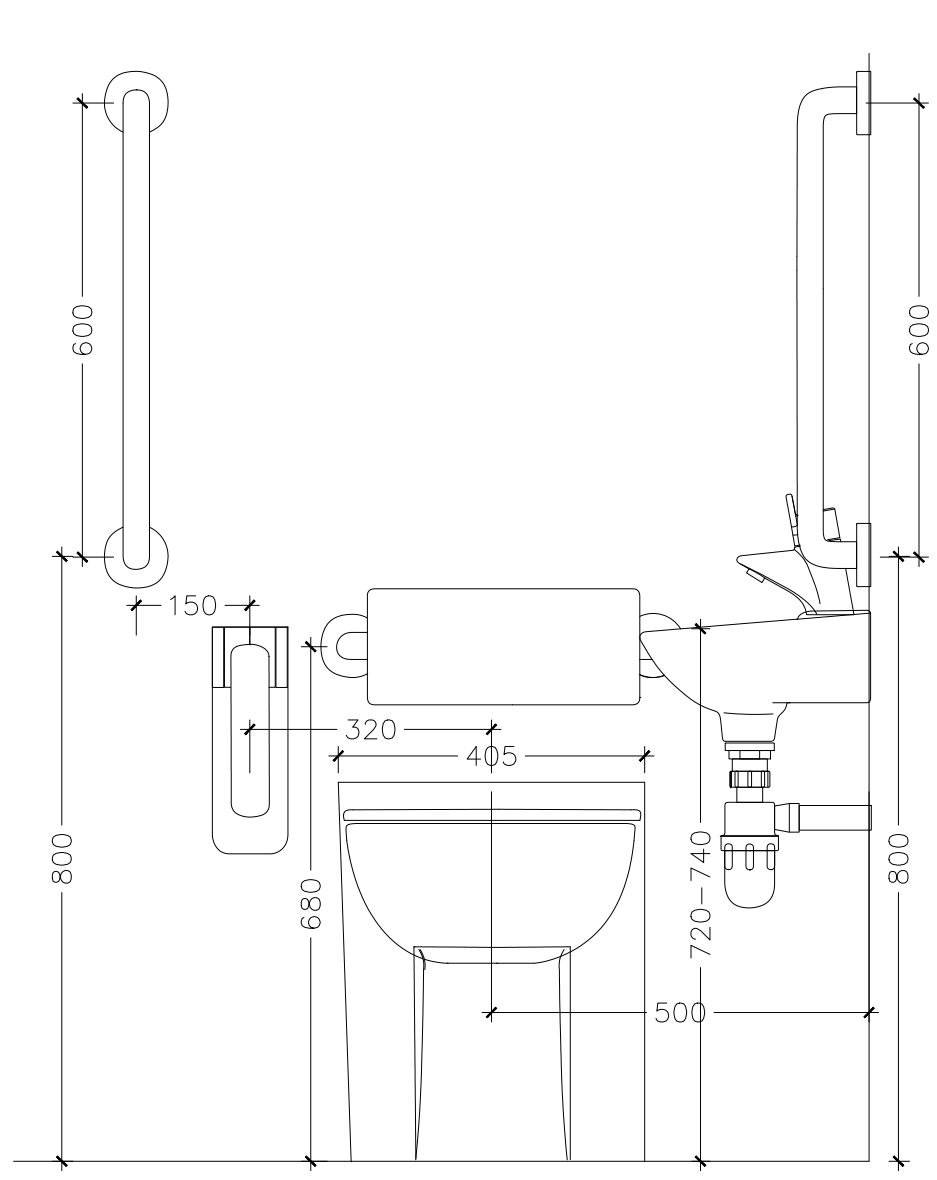
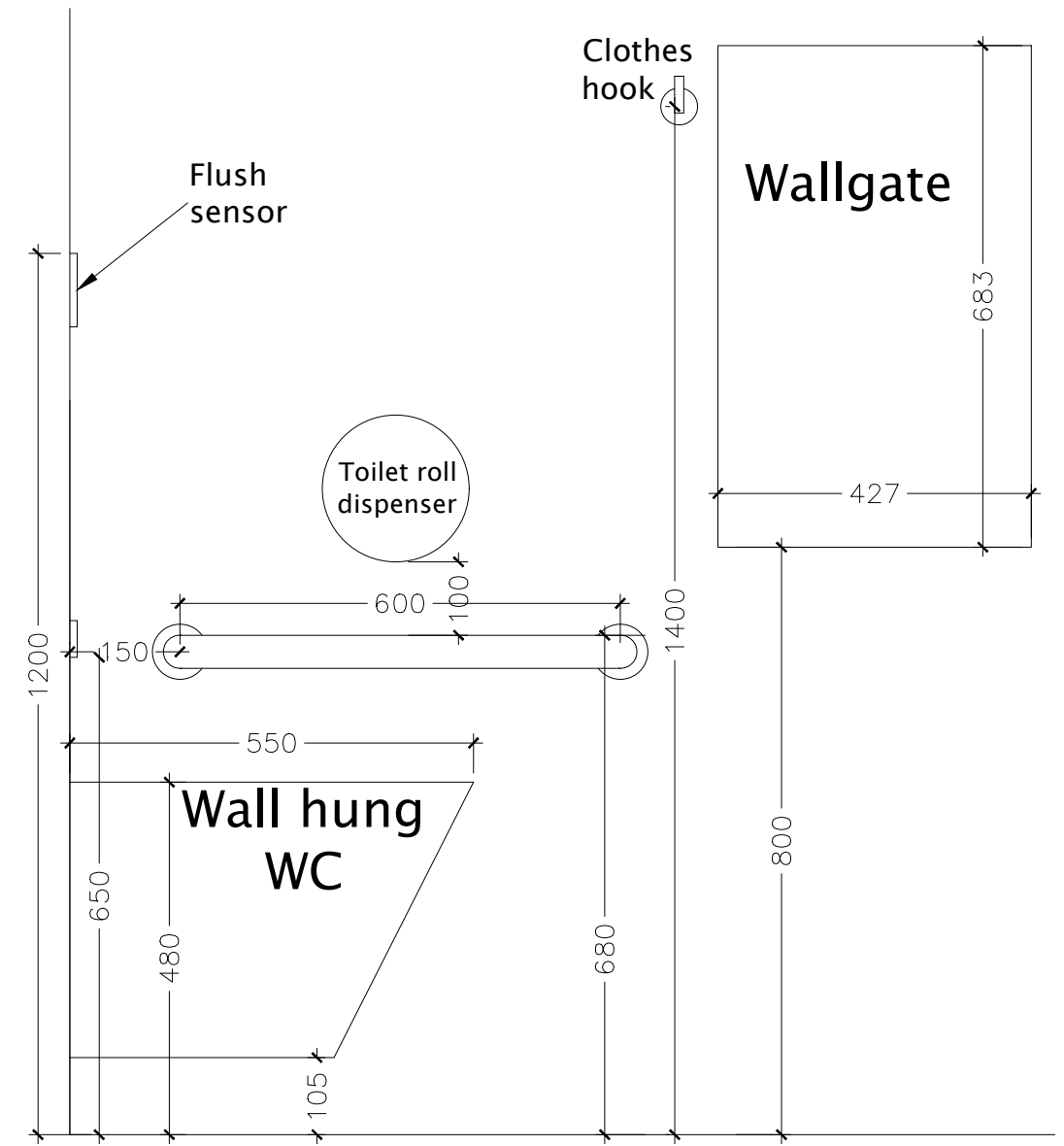


Standard cubicle – Rear wall layout



Accessible WC – Rear wall layout



Ambulant cubicle – side wall layout

A	Ambulant & standard cubicles added	30.07.24
REV	DESCRIPTION	DATE

PROJECT
PUBLIC WCS
FERRING GREEN
FERRING STREET
WEST SUSSEX BN12 5JP

DRAWING TITLE
PROPOSED CUBICLE LAYOUTS

SCALE	DRAWN BY	DATE
1:10 @A3	KMS	JUL 23
DWG NO	1201/04	REV. A

NOTES
WRITTEN DIMENSIONS TO BE TAKEN IN PREFERENCE TO SCALE, AND ARE TO BE CHECKED ON SITE PRIOR TO COMMENCING WORK. THIS DRAWING IS TO BE READ IN CONJUNCTION WITH ALL OTHER DOCUMENTS RELATING TO THIS PROJECT. ANY DISCREPANCIES ARE TO BE REFERRED IMMEDIATELY TO THE PROJECT DESIGNER. THIS DRAWING IS COPYRIGHT, AND SHOULD NOT BE USED OR REPRODUCED WITHOUT PERMISSION. IT IS THE CONTRACTOR'S RESPONSIBILITY TO ENSURE COMPLIANCE WITH THE BUILDING REGULATIONS.

Unit 3b Woodhorn Business Centre
Woodhorn Lane
Oving Chichester
West Sussex PO20 2BX
Tel 01243 774764
www.sloaneandbrown.co.uk

